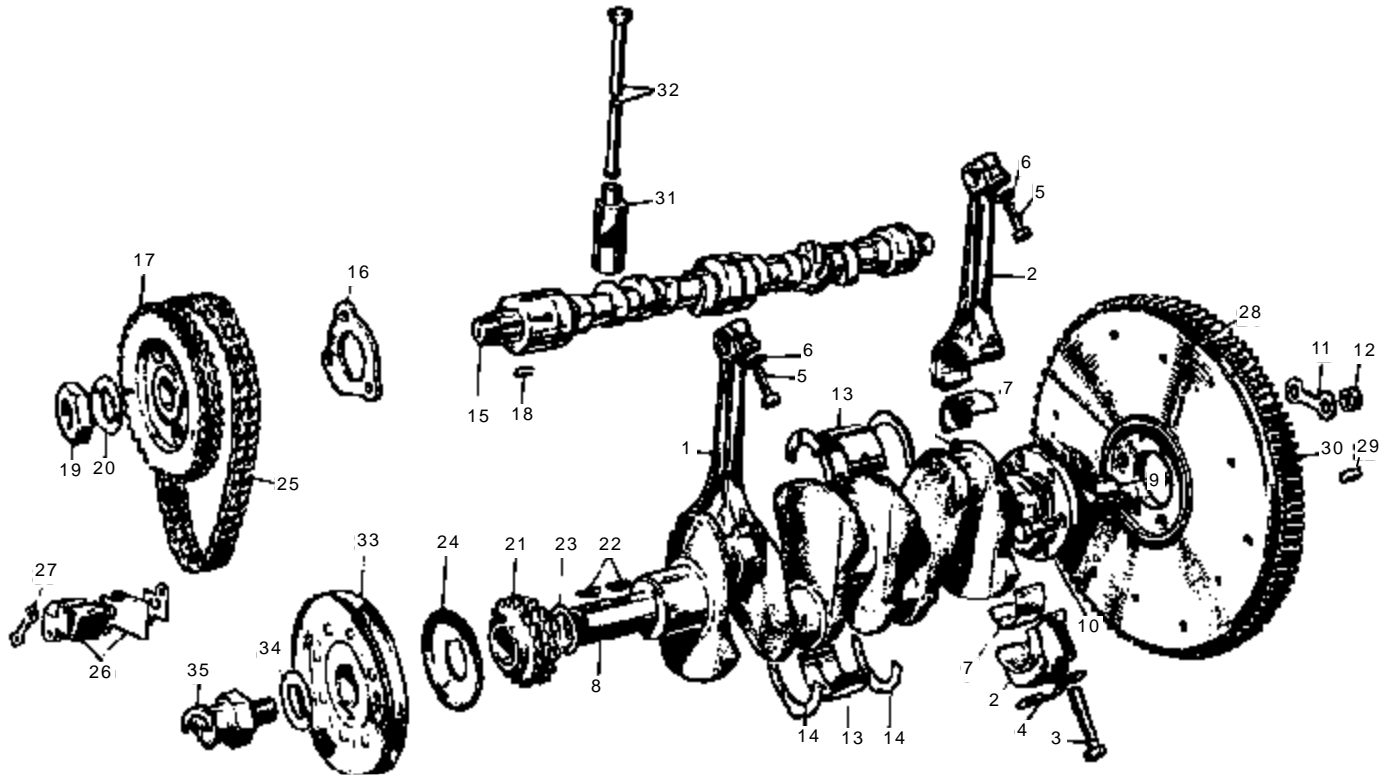
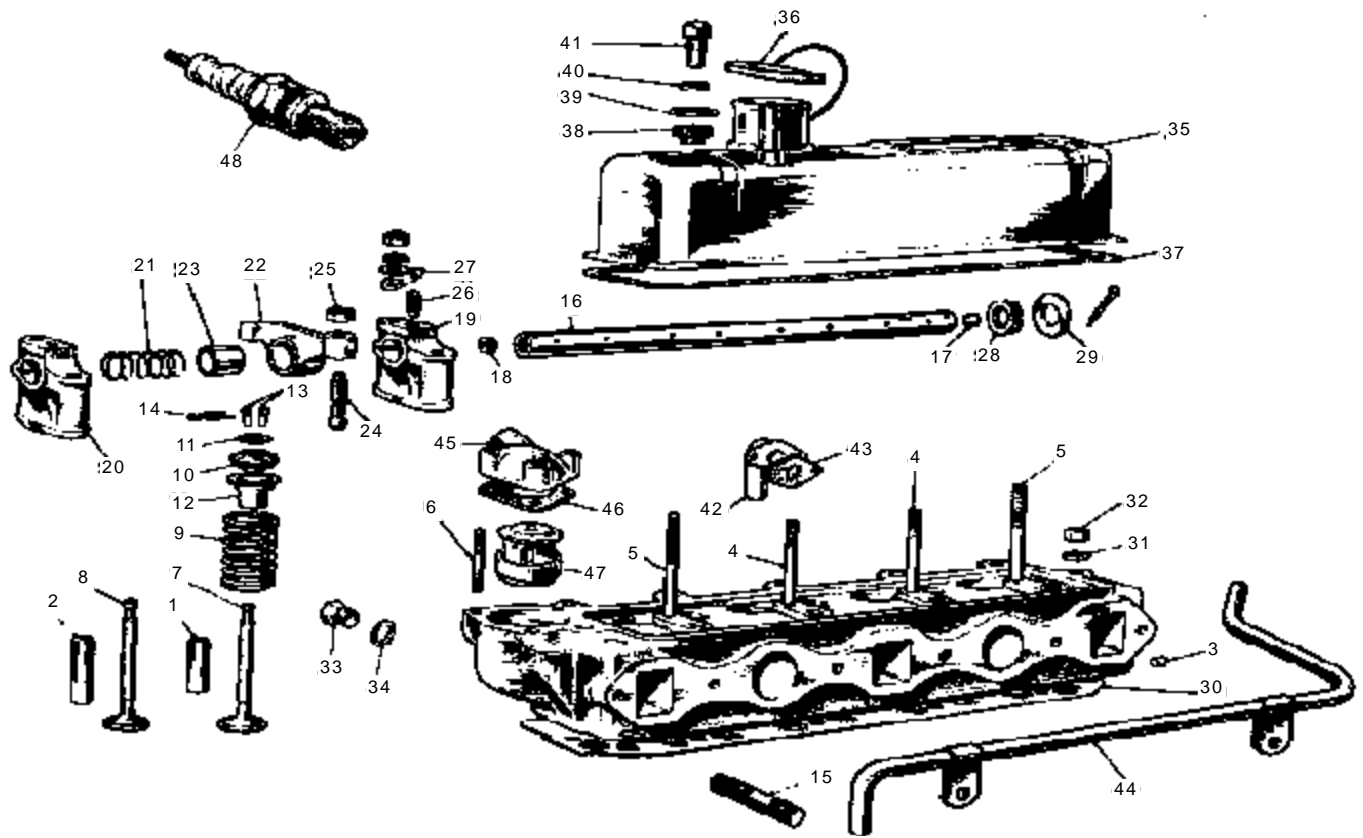


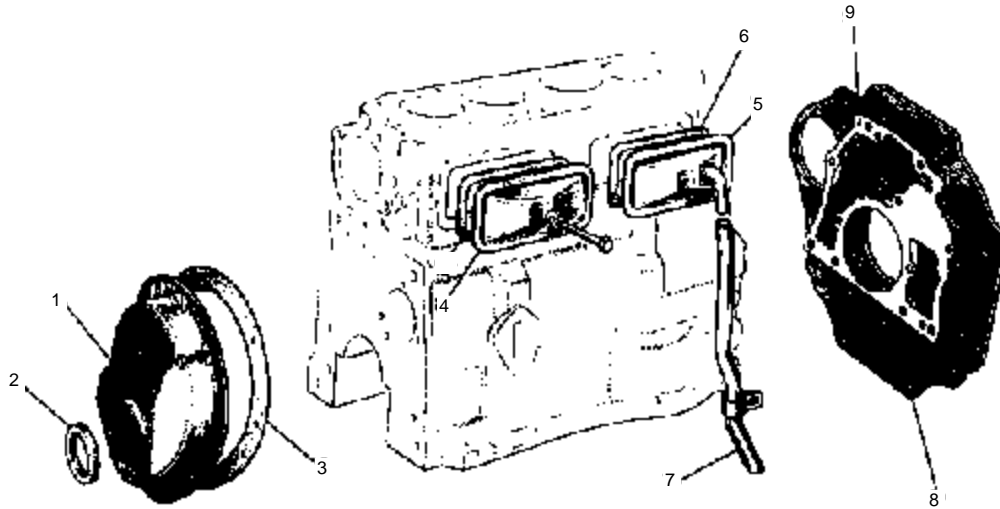
No	Part #	Description	Application	Qty Req	Price Each	No	Part #	Description	Application	Qty Req	Price Each
	G4-366	Head gasket set	-E11000	1	236.50	16	811 0010	Stud	-E11000	2	17.25
	48G119	Head gasket set	E11001-	1	42.17		53K257	Stud	E11001-	2	2.12
	EB260	Conversion set	-E11000	1	75.63	17	1G752	Dowel		2	2.00
	48G138	Conversion set	E11001-	1	38.42	18	1G1896	Piston set, std.	1G prefix	1	720.50
	811 EP1	Engine paint	aerosol	1	27.23		1G1896F	0.01			544.50
							1G1896A	0.02			720.50
	SRG-14	Engine assy (X600)	1G prefix	1	4295.00		1G1896B	0.03			720.50
	8G120	Engine assy (X300)	2G prefix	1	3895.00		1G1896D	0.04			720.50
	48G200	Engine assy (X300)	1H prefix	1	3895.00		8G643	Piston set, std.	2G prefix	1	477.95
	48G199	Engine assy (X300)	A/C/FNH	1	3895.00		8G064310	0.01			477.95
							8G064320	0.02			477.95
1	G4-285	Cylinder block (U)	1G prefix	1	235.95		8G064330	0.03			477.95
	38G249	Cylinder block (U)	2G prefix	1	235.95		8G064340	0.04			477.95
	48G205	Cylinder block (U)	1H prefix	1	235.95		48G144	Piston set, std.	1H prefix	1	514.25
	48G204	Cylinder block (U)	A/C/FNH	1	254.10		48G014410	0.01			514.25
2	2K8169	Welch plug		4	1.52		48G014420	0.02			514.25
3	2K8623	Plug		A/R	4.06		48G014430	0.03			514.25
4	1H813	Plug	1500	1	7.87		48G014440	0.04			514.25
5	6K874	Plug, taper	E11001-	2	6.36		48G153	Piston set, std	A/C/FNH	1	514.25
6	2K4992	Plug, screw	1500	1	11.80		48G015320	0.02			514.25
7	6K638	Washer	1500	1	0.91		48G015330	0.03			514.25
8	6K899	Plug	E11001-	2	2.12		48G015340	0.04			514.25
9	11G14	Plug		1	4.06		48G015360	0.06			586.85
10	811 0007	Stud	-E11000	6	25.41	19	811 0102	Ring set, std.	1200	1	86.52
	51K894	Stud	E11001-	6	13.86		811 2153	Ring set, std.	1500	1	64.74
11	811 0015	Nut	-E11000	6	9.99	20	811 2086	Pin set - std.	1500	1	4.84
	LNN208	Nut	E11001-	6	2.49		811 2088	0.001			4.84
12	811 0012	Cam bearing set	-E11000	1	78.65		811 2090	0.003			4.84
	8G2176	Cam bearing set	E11001-	1	44.72	21	3H576	Drain tap		1	37.21
13	2K8621	Stud, long	-E11000	4	23.90	22	2K4954	Washer		1	1.03
	51K252	Stud, long	E11001-	4	8.42	23	1A2089	Mounting plate (U)	-E11000	1	29.04
14	2K8622	Stud, short	-E11000	7	23.30		11G96	Mounting plate (U)	E11001-	1	21.78
	51K253	Stud, short	E11001-	7	5.87	24	11G97	Gasket	E11001-	1	3.95
15	811 0011	Stud	-E11000	3	22.69	Note: Piston sets include rings and pins					
	51K267	Stud	E11001-	2	6.00						



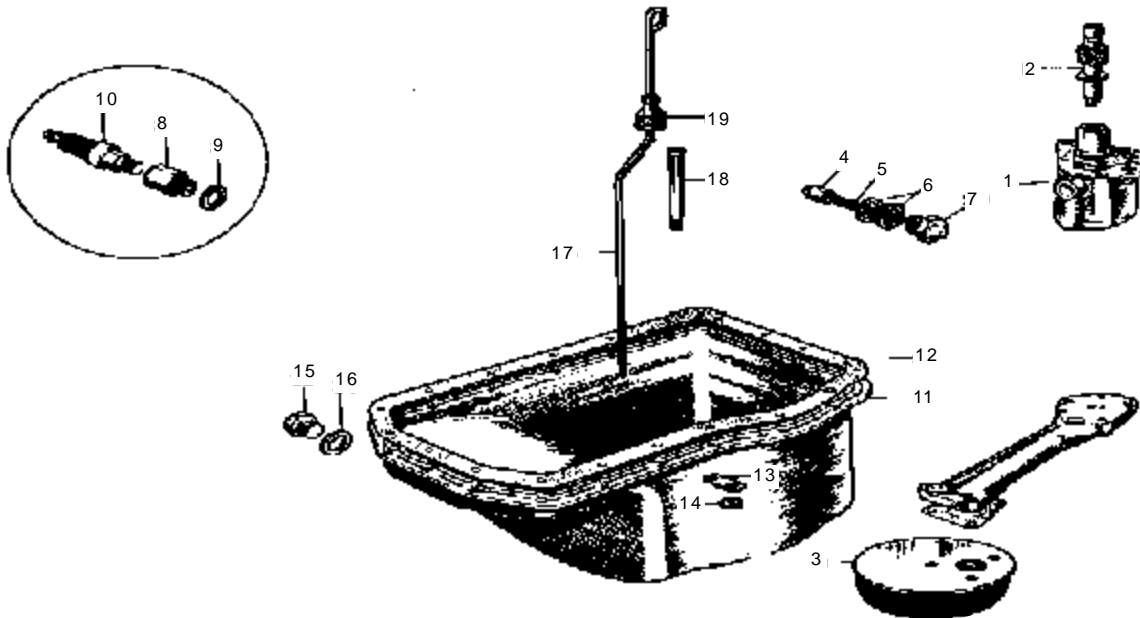
No	Part #	Description	Application	Qty Req	Price Each	No	Part #	Description	Application	Qty Req	Price Each
1	1G1456	Connecting rod, 1 & 3 (U)	1G prefix	2	37.51	14	1F775	Thrust brng set	-E11000	1	93.50
	11G126	Connecting rod, 1 & 3 (U)	2G prefix	2	37.51		1G2331	Thrust brng set	E11001-	1	15.68
	1H703	Connecting rod, 1 & 3 (U)	1500	2	37.51	15	1A2031	Camshaft (X95)	-E11000	1	102.85
2	1G1454	Connecting rod, 2 & 4 (U)	1G prefix	2	37.51		11G149	Camshaft (X50)	E11001-	1	102.85
	11G124	Connecting rod, 2 & 4 (U)	2G prefix	2	37.51	16	11G136	Locating plate	E11001-	1	66.86
	1H701	Connecting rod, 2 & 4 (U)	1500	2	37.51	17	11G203	Camshaft gear	E11001-	1	43.26
3	811 0089	Bolt	-E11000	8	25.41	18	WKN505	Key	E11001-	1	1.03
	51K1388	Bolt	E11001-	8	23.54	19	6K629	Nut	E11001-	1	9.44
4	6K881	Lockplate	E11001-	4	3.21	20	2A759	Locktab	E11001-	1	2.00
5	2K8776	Bolt	-E11000	4	10.59	21	1A2028	Crankshaft gear		1	42.78
	51K1382	Bolt	E11001-	4	4.42	22	2H326	Key		2	2.66
6	2K5319	Lockwasher		4	0.91	23	2K6633	Packing washer		AVR	3.21
7	P213	Rod brng set, std.	-E11000	1	258.50	24	1A1546	Oil thrower		1	4.30
	P213A	0.01			258.50	25	2H4905	Timing chain		1	18.76
	P213B	0.02			258.50	26	17H343	Tensioner	E11001-	1	18.46
	P213C	0.03			258.50	27	AEC340	Locktab	E11001-	1	1.40
	P213D	0.04			258.50	28	1G1234	Flywheel (X85)	1G prefix	1	356.95
	8G2207	Rod brng set, std.	E11001-	1	62.32		11G30	Flywheel (X75)	2G prefix	1	260.15
	8G220710	0.01			62.32		1G681	Flywheel (X65)	1500	1	260.15
	8G220720	0.02			62.32	29	1G2984	Dowel	E11001-	2	5.75
	8G220730	0.03			62.32	30	1G1390	Ring gear	-E11000	1	235.95
	8G220740	0.04			62.32		1G2874	Ring gear	E11001-	1	103.16
8	1G1232	Crankshaft (X195)	1G prefix	1	187.55	31	1G1366	Tappet	-1H142718	8	23.90
	11G73	Crankshaft (X195)	- 2G14674	1	187.55		11G240	Tappet	1H142719-	8	15.68
	1H753	Crankshaft (X195)	2G14675-	1	187.55	32	ALT-46	Pushrod (U)	1G prefix	8	19.36
9	1G765	Pilot bush		1	4.54		1G2380	Pushrod (U)	2G-1H142718	8	15.73
10	811 0121	Bolt (U)	-E11000	6	16.94		11G241	Pushrod	1H142719-	8	8.42
	51K1022	Bolt	E11001-	6	10.59	33	1G1318	Pulley (U)	-2G14667	1	90.75
11	6K26	Locktab		3	4.42		11G81	Pulley	2G14668-	1	157.61
12	811 0123	Nut	-E11000	6	5.75	34	1G1319	Locktab		1	1.88
	FNZ506	Nut	E11001-	6	0.91	35	1A2029	Starting jaw (U)	-E11000	1	42.35
13	P220	Main brng set, std.	-E11000	1	247.50		1G2316	Starting jaw	E11001-	1	40.96
	P220E	0.002			119.79						
	P220A	0.01			247.50						
	P220B	0.02			247.50						
	P220C	0.03			247.50						
	P220D	0.04			247.50						
	8G2175	Main brng set, std.	E11001-	1	66.86						
	8G217510	0.01			66.86						
	8G217520	0.02			66.86						
	8G217530	0.03			66.86						
	8G217540	0.04			66.86						
							PG1	Plastigauge, sleeve		1	3.58
								(critical for measuring main & rod bearing clearances during engine assembly)			
							L0034-094	#105 Motor Assembly Lube, 10 oz		1	11.80
								(Oil soluble white grease for general engine assembly)			



No	Part #	Description	Application	Qty Req	Price Each	No	Part #	Description	Application	Qty Req	Price Each
	G4-59	Cylinder head assy (X650)	1G prefix	1	825.00	22	1G1441	Rocker (U)	-E11000	8	38.72
	G4-436	Cylinder head assy (X395)	2G prefix	1	725.00		11G45	Rocker	E11001-	8	41.57
	48G201	Cylinder head assy (X325)	1500	1	725.00	23	1G2295	Bush	E11001-	8	5.32
1	1A2116	Guide, intake	-E11000	4	3.94	24	ALT-56	Adjusting screw (U)	-E11000	8	6.05
	11G313	Guide, intake	E11001-	4	5.27		48G207	Adjusting screw	E11001-	8	4.18
2	1G1332	Guide, exhaust	-E11000	4	4.54	25	2K8492	Nut	-E11000	8	5.15
	11G193	Guide, exhaust	E11001-	4	5.45		51K1178	Nut	E11001-	9	1.52
3	6K872	Plug	E11001-	1	1.16	26	2A258	Locating screw	E11001-	1	3.94
4	2K8565	Stud, short	-E11000	2	17.85	27	2A259	Locating plate	E11001-	1	5.15
	51K881	Stud, short	E11001-	2	1.88	28	1A2139	Spring washer		2	NCA
5	6K488	Stud, long	-E11000	2	19.06	29	2K6804	Washer		2	1.16
	51K893	Stud, long	E11001-	2	2.24	30	1A2142	Head gasket	-E11000	1	107.69
6	811 0251	Stud	-E11000	3	15.43		12H60	Head gasket	E11001-	1	40.24
	53K531	Stud	E11001-	3	1.88	31	PWN106	Washer		11	1.16
7	1G1693	Intake valve	-E11000	4	45.10	32	2K3799	Nut	-E11000	11	4.54
	11G310	Intake valve	E11001-	4	18.46		51K371	Nut	E11001-	11	2.12
8	1A2119	Exhaust valve	-E11000	4	54.73	33	811 0256	Plug (U)	-E11000	1	13.31
	1H1330	Exhaust valve	E11001-	4	27.53		1G2953	Plug (U)	E11001-	1	7.26
9	6K504	Spring set	-E11000	1	65.34	34	1B3664	Washer	E11001-	1	1.16
	1G2887	Spring set	E11001-	1	57.78	35	2A2252	Valve cover (U)	-E11000	1	55.66
10	1G2379	Shroud		8	5.87		1H1339	Valve cover (U)	E11001-	1	43.56
11	AEK113	Ring	1H217136-	8	NCA	36	8G615	Cap & cable		1	25.41
12	811 0143	Cup (U)	-E11000	8	7.87	37	1A2155	Valve cover gasket	-E11000	1	15.43
	1A2122	Cup	E11001-	8	13.62		12H37	Valve cover gasket	E11001-	1	6.36
13	811 0146	Cotter (U)	-E11000	16	9.68	38	2K8568	Bushing		2	1.16
	1K800	Cotter	E11001-	16	17.85	39	1A2156	Washer		2	1.64
14	1K372	Circlip		8	2.73	40	1B2925	Distance piece		2	2.73
15	2K3451	Stud	-E11000	2	14.22	41	1A2157	Nut	-E11000	2	14.83
	FHS2512	Stud	E11001-	2	1.69		2A150	Nut	E11001-	2	4.79
16	1G2075	Rocker shaft	-E11000	1	223.85	42	1G2243	Elbow (U)		1	10.29
	11G62	Rocker shaft	E11001-	1	42.78	43	1G2342	Gasket		1	1.94
17	6K878	Plug		1	20.88	44	811 1234	Return pipe (U)	-E11000	1	55.66
18	2K4608	Screw plug		1	NCA		1G2918	Return pipe (U)	E11001-	1	38.72
19	ALT-41	Bracket, tapped (U)	-E11000	1	33.88	45	1G2351	Thermostat housing		1	48.10
	1H1419	Bracket, tapped	E11001-	1	46.89	46	1A2149	Gasket		1	1.52
20	ALT-42	Bracket, plain (U)	-E11000	3	33.88	47	811 2398	Thermostat, 160'		1	9.99
	1H1420	Bracket, plain	E11001-	3	33.10		11G291	180'		1	9.99
21	2K8567	Spring (U)	-E11000	3	8.47	48	3H2006	Spark plug		4	4.42
	6K871	Spring	E11001-	3	1.88						



No	Part #	Description	Application	Qty Req	Price Each	No	Part #	Description	Application	Qty Req	Price Each
1	1G1586	Front cover (U)	-E11000	1	26.62	6	12A24	Gasket		2	1.88
	11G93	Front cover (U)	E11001-	1	14.52	7	1G1413	Vent tube (U)	-E11000	1	21.78
2	2K7140	Ring, felt		1	3.94		11G78	Vent tube (U)	E11001-	1	15.13
3	1A2093	Gasket	-E11000	1	4.79	8	811 0024	Mounting plate (U)	1G prefix	1	58.08
	11G95	Gasket	E11001-	1	5.27		811 1560	Mounting plate (U)	2G/A/CNH	1	26.62
4	12H152	Side cover, front (U)		1	10.89		12H61	Mounting plate (U)	FNH	1	26.62
5	12H155	Side cover, rear (U)		1	12.10	9	1G2425	Gasket	E11001-	1	3.58



No	Part #	Description	Application	Qty Req	Price Each	No	Part #	Description	Application	Qty Req	Price Each
1	1A2169	Oil pump (X95)	-E11000	1	175.00	9	6K638	Washer		1	0.91
	1A2054	Driving gear, oil pump	-E11000	1	45.00	10	3H2388	Pressure switch		1	22.69
	1A2055	Driven gear, oil pump	-E11000	1	45.00	11	1A2194	Sump (U)	-E11000	1	102.85
	1H1191	Oil pump	E11001-	1	157.61		1G2508	Sump (U)	E11001-	1	54.45
2	811 0073	Drive spindle (U)	-E11000	1	50.82	12	1A2197	Gasket	-E11000	1	17.25
	11G12	Drive spindle	E11001-	1	193.55		1G2290	Gasket	E11001-	1	5.15
3	G4-159	Strainer (U)	1G prefix	1	37.51	13	1A2104	Drain clip		1	9.68
	811 1593	Strainer (U)	2G-CNH149802	1	31.46	14	2H4935	Grommet		1	NCA
	1H1192	Strainer	CNH149803-	1	64.08	15	2H4685	Plug (U)	-E11000	1	25.41
4	1G1452	Release valve	E11001-	1	13.74		2G4249	Plug	E11001-	1	5.87
5	6K853	Spring	E11001-	1	2.37	16	6K638	Washer	E11001-	1	0.91
6	2K4982	Washer		2	0.67	17	1G2098	Dipstick (U)	-E11000	1	31.46
7	1A2206	Nut		1	3.63		12H74	Dipstick (U)	E11001-	1	22.69
8	11G13	Adaptor (U)	E11001-	1	22.69	18	1B1063	Tube	E11001-	1	14.83
						19	1B1735	Dust cap	E11001-	1	3.94