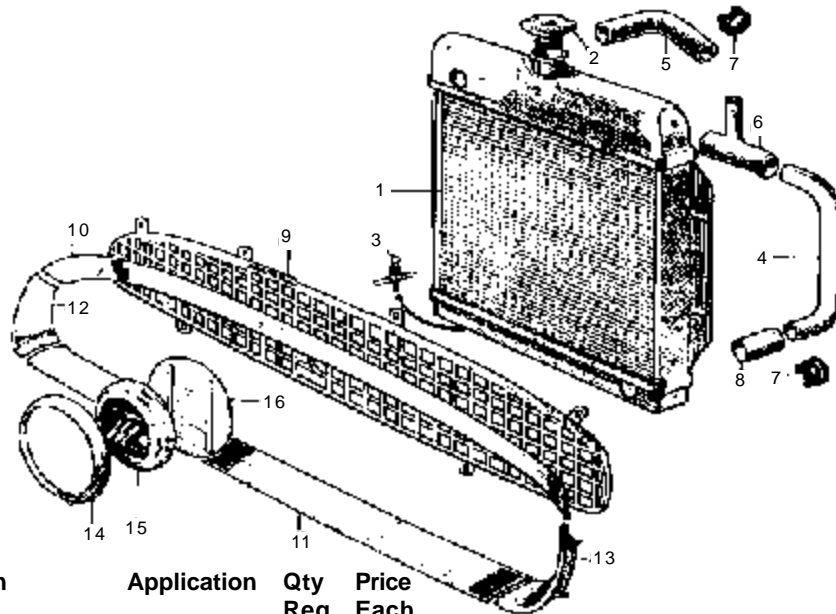


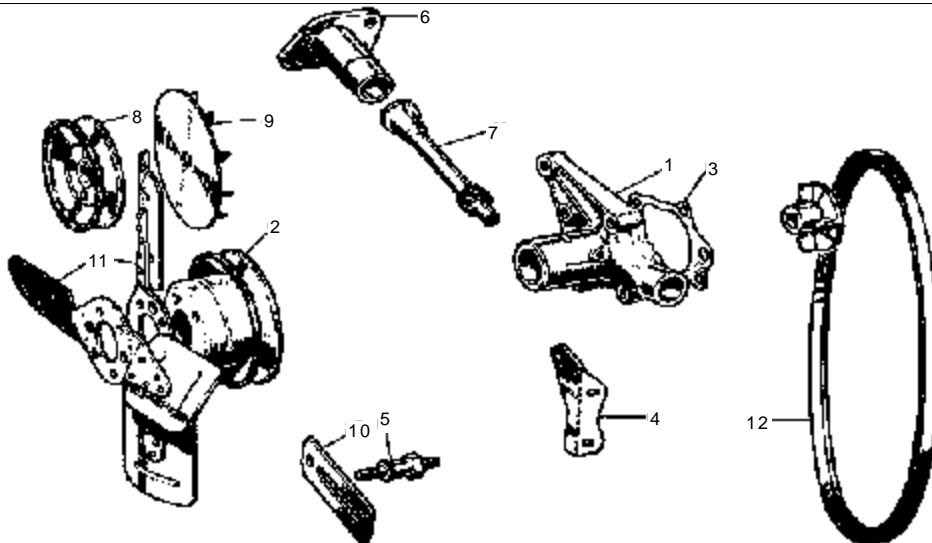
Radiator



No	Part #	Description	Application	Qty Req	Price Each
1	811 0241	Radiator (X45)	540	1	565.00
	1H2002	Radiator (X45)	560	1	565.00
2	3H2665	Cap		1	9.99
3	3H2724	Drain tap		1	13.26
4	811 0242	'S' tube	-E11000	1	58.39
	1G2661	'S' tube	E11001-	1	53.55
5	1E78	Top hose		1	14.83
6	1G2261	'T' hose		1	27.53
7	3H2690	Clamp		6	4.06
8	1G2262	Lower hose		1	4.06
	811 1390	Grille bar	540	1	525.00
9	14A9461	Grille mesh	560	1	675.00
10	14A9452	Grille surround, top	560	1	195.00
11	14A9454	bottom	560	1	195.00
12	14A9448	right	560	1	135.00
13	14A9449	left	560	1	125.00

No	Part #	Description	Application	Qty Req	Price Each
14	14A9457	Bezel	560	1	98.00
15	312 5307	Medallion	"Nash"	1	95.00
	811 1908	Medallion	"Hudson"	1	95.00
	14A9478	Medallion	"M"	1	95.00
16	436 7886	Plate	540	1	39.00
	14A9458	Plate	560	1	45.00

Grille surrounds manufactured by KMC are stamped from brass and chrome plated to look just like the originals, except they'll never rust. Don't confuse KMC grille surrounds with low quality cast pot metal imitations.



Water Pump

No	Part #	Description	Application	Qty Req	Price Each
1	G4-132	Water pump (X75)	-E11000	1	195.00
	11G164	Water pump (X35)	E11001- key hub	1	145.00
	1H1149	Water pump	E11001- press hub	1	78.65
2	811 0232	Pulley	1G prefix	1	45.98
	811 1723	Pulley (U)	-2G19182	1	33.88
	11G200	Pulley (U)	2G19183-	1	78.65
3	811 0235	Gasket	-E11000	1	8.78
	1G2302	Gasket	E11001-	1	3.58
4	2A758	Bracket, generator (U)		1	13.01
5	811 0070	Pillar (U)	-E11000	1	19.36
	2A128	Pillar	E11001-	1	16.94
6	811 0293	Distributor housing (U)	-E11000	1	29.04

No	Part #	Description	Application	Qty Req	Price Each
	1G2285	Distributor housing (U)	E11001-	1	26.62
7	2A139	Drive spindle		1	117.32
8	811 0279	Pulley, generator (U)	-E11000	1	19.36
	811 1705	Pulley, generator (U)	E11001- w/22258	14.22	
	12A34	Pulley, generator	560 w/22700	102.55	
9	811 0278	Fan, generator	w/22258 gen	1	12.41
	17D11	Fan, generator	w/22700 gen	1	13.98
10	2A497	Adjusting link		1	16.64
11	1G1295	Fan blade (U)	-E11000	1	14.52
	11G232	Fan blade (U)	E11001-	2	14.22
12	811 0240	Fan belt	-E11000	1	23.30
	1H1001	Fan belt	E11001-	1	9.99